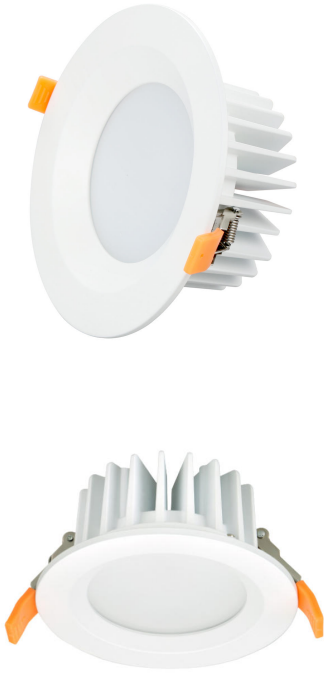


# DL 465

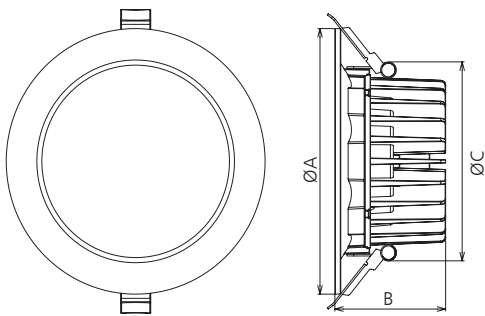
## LED Downlight lights IP65



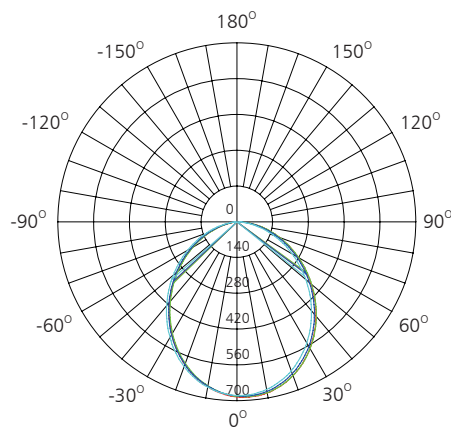
### Specifications / Špecifikácia

<b>Model</b>	DL 465	
<b>Power / Výkon</b>	18W	
<b>Luminous Flux/Svetelný tok</b>	1800lm	
<b>Color temperature / farba</b>	3000K / 4000K	
<b>Electrical class / el. tried</b>	II	
<b>UGR</b>	--	
<b>Color Rendering Index (CRI)</b>	Ra 80	
<b>Beam angle Uhol vyžarovania</b>	100°	
<b>Input Voltage Napájanie</b>	200-240VAC	
<b>Power Factor</b>	>0.90	>0.93
<b>Frequency</b>	50 / 60 Hz	
<b>Operating Temperature Pracovná teplota</b>	70°C	
<b>Driver Type / Typ napájača</b>	Constant Current (CC)	
<b>Product Dimension (mm) Rozmer svietidla (mm)</b>	AxBxC Ø155x67xØ116	
<b>Luminaire Net Weight Hmotnosť svietidla</b>	0,75 kg	
<b>Material</b>	<b>Housing / teleso</b>	Aluminum Alloy / hliníková zliatina
	<b>Diffuser / difuzor</b>	PMMA / Polymetylmetakrylát / OPAL
<b>Fixture Color / Farba svietidla</b>	White / Biela	
<b>IP Rating / Krytie IP</b>	IP65	
<b>Life Time / životnosť</b>	>50,000H (Ta=30°L80B10)	
<b>Warranty / záruka</b>	5 Years/ 5 rokov	

### Dimensions / Rozmery



### Photometry



**UNIT: cd**

- C0/180, 99.9 deg
- C30/210, 99.9 deg
- C60/240, 99.9deg
- C90/270, 99.9 deg

AVERAGE BEAM ANGLE (50%): 99.9DEG