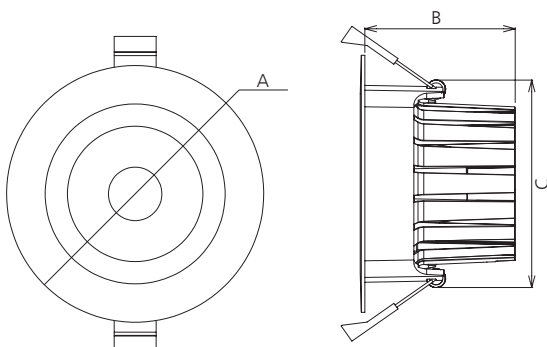




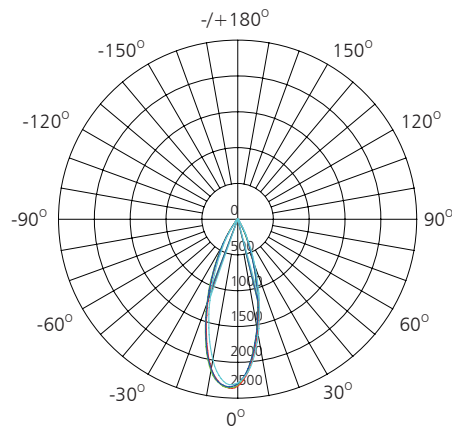
**Specifications / Špecifikácia**

<b>Model</b>	DL 103 13W	
<b>Power / Výkon</b>	13 W	
<b>Luminous Flux/Svetelný tok</b>	1250 lm	
<b>Color temperature / farba</b>	2700K	
<b>Electrical class / el. tried</b>	II	
<b>UGR</b>	19	
<b>Color Rendering Index (CRI)</b>	Ra 80	
<b>Beam angle Uhol vyžarovania</b>	36 °	
<b>Input Voltage Napájanie</b>	200-240VAC	
<b>Power Factor</b>	>0.90	>0.93
<b>Frequency</b>	50 / 60 Hz	
<b>Driver Type / Typ napájača</b>	Constant Current (CC)	
<b>Product Dimension (mm) Rozmer svietidla (mm)</b>	Ø110x65xØ90	
<b>Material</b>	<b>Housing / teleso</b>	Diecast aluminum / Tlakovo liaty hliník
	<b>Diffuser / difuzor</b>	PMMA clear / Polymetylmetakrylát
<b>Fixture Color / Farba svietidla</b>	White / Biela	
<b>IP Rating / Krytie IP</b>	IP65	
<b>Life Time / životnosť</b>	>50,000H	
<b>Warranty / záruka</b>	2 Years/2 roky	

**Dimensions / Rozmery**



**Photometry**



**UNIT: cd**

- C0/180, 34.7 deg
- C30/210, 34.8 deg
- C60/240, 34.8 deg
- C90/270, 34.6 deg

AVERAGE BEAM ANGLE (50%): 34.7DEG