

CL 2012 SQ LED

LED INDUSTRIAL LIGHT IP54 / IK08 / LED PRIEMYSELNÉ SVIETIDLÁ IP54 / IK08

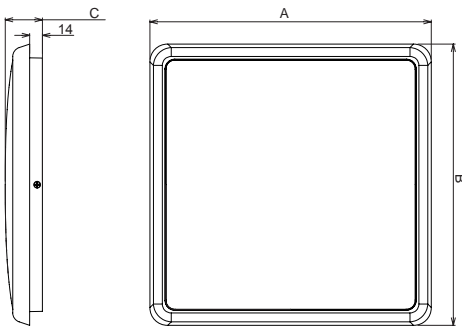


Specifications / Špecifikácia

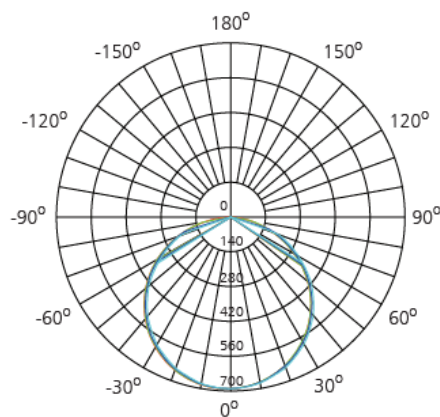
| | |
|---|---|
| Model | CL 2012 SQ 350 |
| Power / Výkon | 25W |
| Luminous Flux/Svetelný tok | 2775 lm |
| Color temperature / farba | 3000K |
| Electrical class / el. tried | II |
| UGR | -- |
| Color Rendering Index (CRI) | Ra 80 |
| Beam angle Uhol vyžarovania | -- |
| Input Voltage Napájanie | 200-240VAC |
| Power Factor | >0.90 |
| Frequency | 50 / 60 Hz |
| Driver Type / Typ napájača | Constant Current (CC) |
| Product Dimension (mm) Rozmer svietidla (mm) | A x B x C 350 x 350 x 33 |
| Material | Housing / teleso Plastic + aluminium components / plast a hliníkové komponenty |
| | Diffuser / difuzor Opal Acrylic Diffuser / Opálový akrylový difúzer |
| Fixture Color / Farba svietidla | White / Biela |
| IP Rating / Krytie IP | IP54/IK08 |
| Life Time / životnosť | >50,000H |
| Warranty / záruka | 5 Years/5 roky |

Up to 70% energy saving compared to standard CFL.
Environment friendly, without Mercury or any other hazardous substances.
Až 70% úspora energie v porovnaní so štandardným CFL.
Priaznivá pre životné prostredie, bez ortuti alebo iných nebezpečných látok.

Dimensions / Rozmery



Photometry



UNIT: cd

- C0/180, 115.2 deg
- C30/210, 115.2 deg
- C60/240, 115.2 deg
- C90/270, 115.1 deg

AVERAGE BEAM ANGLE (50%): 115.2 DEG