

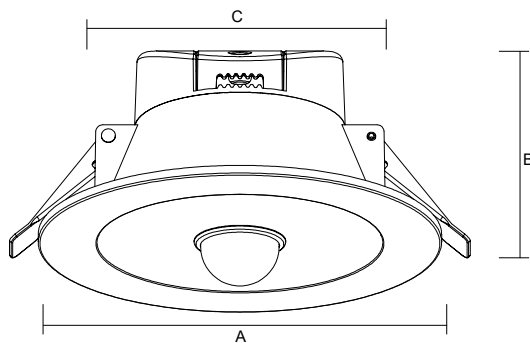
# DL 41-3 LED

## LED DOWNLIGHTS + PIR SENSOR

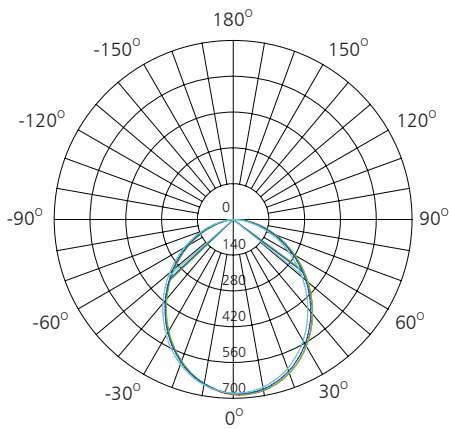


Type / Typ	Power Výkon (W)	Luminous flux Svetelný tok (lm)	Color temperature Farba (K)	Optic Optika	Dimensions Rozmery (AxBxC mm)
DL 41-3 PIR SENSOR	10W	830	4000	90°	Ø115x61xØ90

### Dimensions / Rozmery



## Photometry



AVERAGE BEAM ANGLE (50%): 99.9DEG

UNIT: cd

- C0/180, 99.9 deg
- C30/210, 99.9 deg
- C60/240, 99.9deg
- C90/270, 99.9 deg

