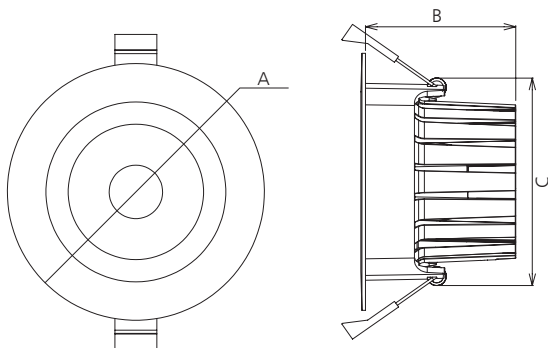




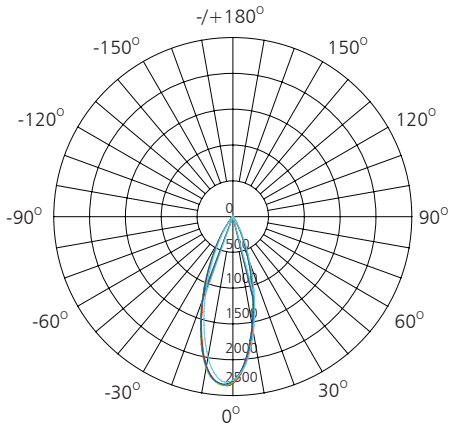
Type / Typ	Power Výkon (W)	Luminous flux Svetelný tok (lm)	Color temperature Farba (K)	Optic Optika	Dimensions Rozmery (AxBxC mm)
DL 103 8W	8W	815	3000	36°	Ø80x40xØ68
DL 103 10W	10W	1000	4000	36°	Ø90x50xØ75
DL 103 13W	13W	1250	2700	36°	Ø110x65xØ90
DL 103 13W	13W	1350	4000	36°	Ø110x65xØ90

### Dimensions / Rozmery



## Photometry

### Polar Diagram Comparison



AVERAGE BEAM ANGLE (50%): 34.7DEG

UNIT: cd

- C0/180, 34.7 deg
- C30/210, 34.8 deg
- C60/240, 34.8 deg
- C90/270, 34.6 deg

